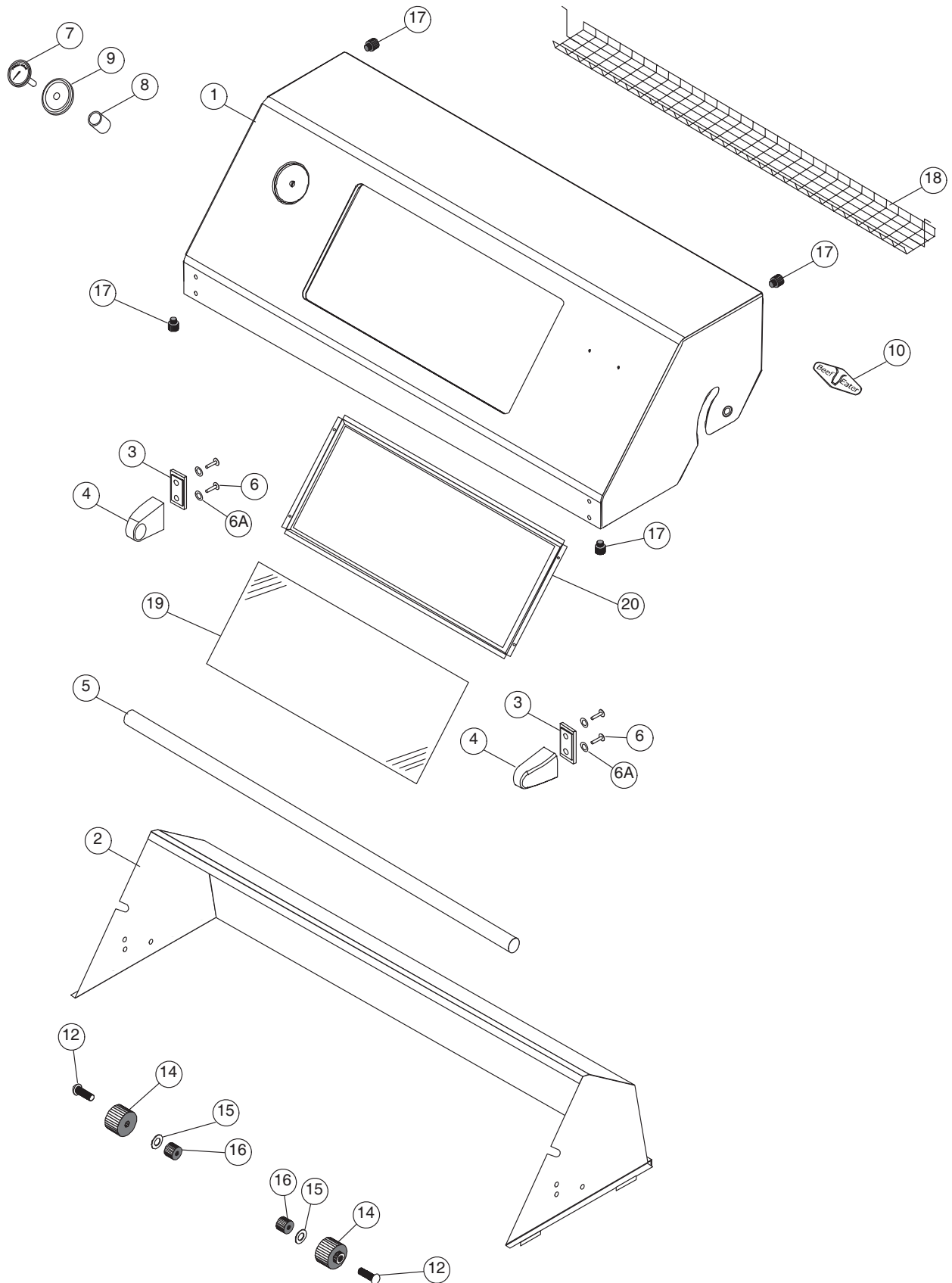




Spare Parts





Without Viewing Glass		Black Porcelain				Stainless Steel				
		2B 29622	3B 29132	4B 29142	5B 29152	2B 29420	3B 29430	4B 29440	5B 29450	
P#	Description	Part Code	Part Code	Part Code	Part Code	Part Code	Part Code	Part Code	Part Code	QTY
1	Hood Body Top	320005	330005	340007	350007	320107	330106	340109	350111	1
2	Hood Body Base	320006	330007	340011	350011	320108	330107	340110	350115	1
3	Insulating Plate	060623	060623	060623	060623	060623	060623	060623	060623	2
4	End Cap	060622	060622	060622	060622	060628	060628	060628	060628	2
5	Handle Rod - Stainless Steel	390110	390103	390104	390116	390110	390103	390104	390116	1
6	Mounting Screw M6 x 20	030120	030120	030120	030120	030120	030120	030120	030120	4
6A	Fibre Washer	030400	030400	030400	030400	030400	030400	030400	030400	4
7	Temperature Gauge & Nut (pack)	060605	060605	060605	060605	060605	060605	060605	060605	1
8	Nut for Temperature gauge	For assembly reference only. Nut is part of temperature gauge pack								1
9	Bezel	060629	060629	060629	060629	060627	060627	060627	060627	1
10	BeefEater Badge & Circlips	060509	060509	060509	060509	060509	060509	060509	060509	1
11	Allen Key	030608	030608	030608	030608	030608	030608	030608	030608	1
12	M6 x 30 Screw Pivot Screw	030155	030155	030155	030155	030155	030155	030155	030155	2
13	N/A	-	-	-	-	-	-	-	-	-
14	Pivot Washer - 25mm	060221	060221	060221	060221	060221	060221	060221	060221	2
15	M6 Flat Washer	030401	030401	030401	030401	030401	030401	030401	030401	2
16	M6 Glenlock Nut	030318	030318	030318	030318	030318	030318	030318	030318	2
17	Rubber Stoppers	060106	060106	060106	060106	060106	060106	060106	060106	4
18	Warming Rack	060613	060614	060615	060616	060617	060618	060619	060620	1
19	Hood Liner Panel (where fitted)	N/A	N/A	N/A	N/A	320206	330206	340213	350213	1

With Viewing Glass		Black Porcelain			Stainless Steel			
		3B 29532	4B 29542	5B 29552	3B 29630	4B 29640	5B 29650	
P#	Description	Part Code	Part Code	Part Code	Part Code	Part Code	Part Code	QTY
1	Hood Body Top	330008	340009	350009	330111	340114	350114	1
2	Hood Body Base	330007	340011	350011	330107	340110	350115	1
3	Insulating Plate	060623	060623	060623	060623	060623	060623	2
4	End Cap	060622	060622	060622	060628	060628	060628	2
5	Handle Rod - Stainless Steel	390103	390104	390116	390103	390104	390116	1
6	Mounting Screw M6 x 20	030120	030120	030120	030120	030120	030120	4
6A	Fibre Washer	030400	030400	030400	030400	030400	030400	4
7	Temperature Gauge & Nut (pack)	060605	060605	060605	060605	060605	060605	1
8	Nut for Temperature gauge	For assembly reference only. Nut is part of Temperature gauge pack						1
9	Bezel	060629	060629	060629	060627	060627	060627	1
10	BeefEater Badge & Circlips	060509	060509	060509	060509	060509	060509	1
11	Allen Key	030608	030608	030608	030608	030608	030608	1
12	M6 x 30 Screw Pivot Screw	030155	030155	030155	030155	030155	030155	2
13	N/A							
14	Pivot Washer - 25mm	060221	060221	060221	060221	060221	060221	2
15	M6 Flat Washer	030401	030401	030401	030401	030401	030401	2
16	M6 Glenlock Nut	030318	030318	030318	030318	030318	030318	2
17	Rubber Stoppers	060106	060106	060106	060106	060106	060106	4
18	Warming Rack	060614	060615	060616	060618	060619	060620	1
19	Glass	060108	060103	060109	060108	060103	060109	1
20	Glass Retainer Frame	390127	390125	390129	390127	390125	390129	2
21	Retainer Frame Nuts (not shown)	030314	030314	030314	030314	030314	030314	4
22	Silicon Extrusion	060104	060104	060104	060104	060104	060104	1
23	Hood Liner Panel (where fitted)	N/A	N/A	N/A	330212	340212	350215	1