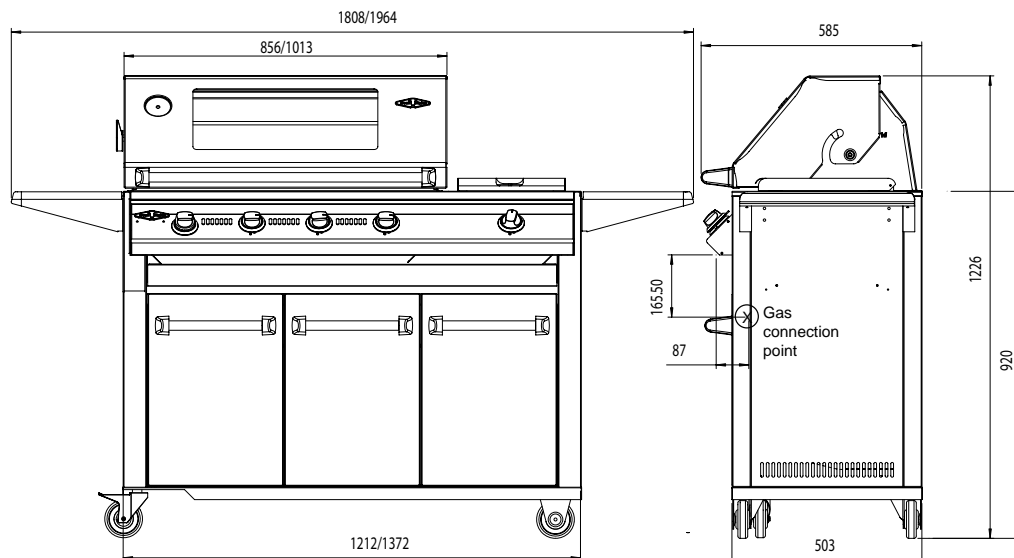


Technical Specifications

Gas Specifications

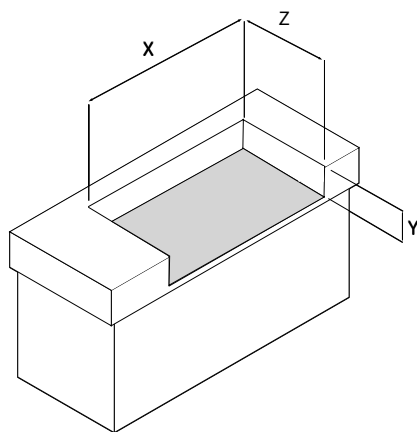
Gas	Injector size	Input/burner	Gas Pressure
LPG/Propane	1.27 mm	19 MJ/hr	2.75 kPa / 11" WC
Natural Gas	2.1 mm	19 MJ/hr	1 kPa / 4" WC

Trolley-Mount Model Dimensions



All dimensions are in millimetres.
Width dimensions are shown for both 5 burner model or 6 burner models.

Inbuilt Model Dimensions



X = Cavity width (left to right)

5 burner = 1190 mm

6 burner = 1345 mm

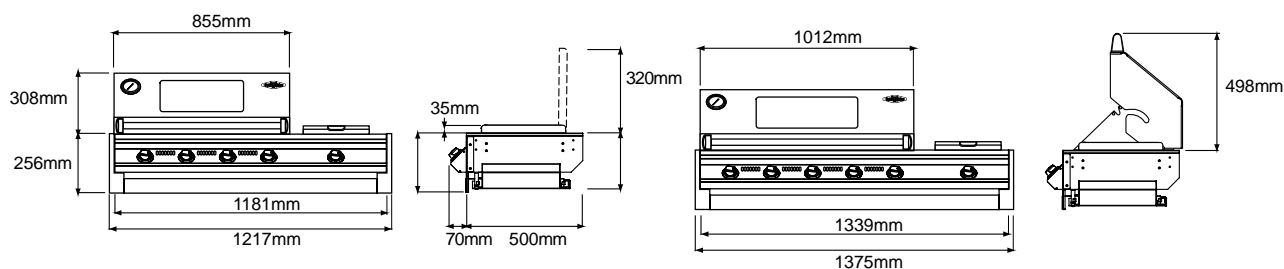
Y = Cavity height (top to bottom)

all models = 270 mm

Z = Cavity depth (front to back)

all models = 520mm

Includes 20mm rear clearance behind barbecue frame. This is the minimum clearance required behind the barbecue body.



Australia's Leading Barbecue