

NATURAL GAS BBQ CONVERSION PROCEDURE



INJECTORS

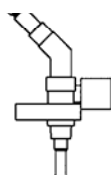


Step 1 Remove LPG injectors and replace with Natural Gas Injectors

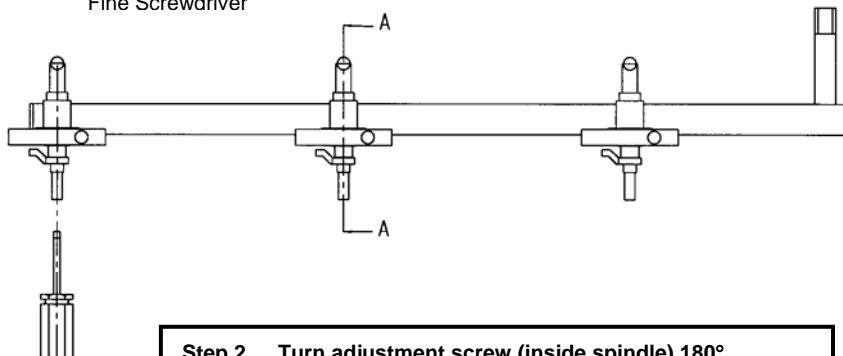
SECTION AA

Fine Screwdriver

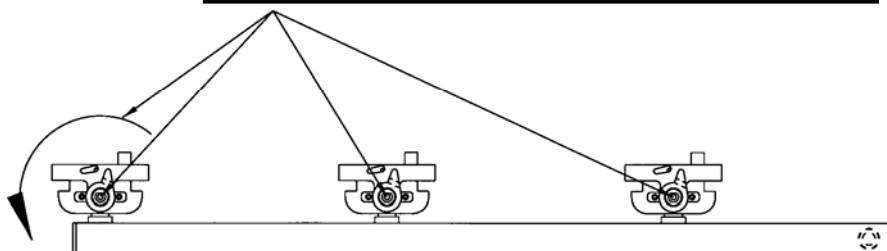
Gas Manifold with Valves



180°



**Step 2 Turn adjustment screw (inside spindle) 180°
Counter clockwise with a flat head needle**



Step 3 Place the round black 'NATURAL GAS' label over the red 'LPG' label on the side of the BBQ body